

Za vrijeme normalnog pogona, naročito s vlažnim gorivom dolazi do taloženja čađe i katrana. Ako se zanemari redovna kontrola i čišćenje dimnjaka povećava se opasnost od požara u dimnjaku. U slučaju pojave vatre u dimnjaku postupite na slijedeći način:

- ne upotrebljavajte vodu za gašenje
- zatvorite sve dolaze zraka u peć i dimnjak
- nakon što se vatra ugasila pozovite dimnjačara da pregleda dimnjak
- **pozovite servisnu službu, odnosno proizvođača da pregleda peć**

Jamstvo

Jamstvo vrijedi samo u slučaju kada se peć koristi u skladu s tehničkim uputama.

Mogućnost grijanja prostora

Veličina grijanog prostora zavisna je o načinu grijanja i toplinskoj izolaciji prostora.

Uvjeti grijanja	Nazivna topl. snaga 6 kW - Dora 8 N	Nazivna topl. snaga 7 kW - Dora 10 N
- povoljni uvjeti	144 m ³	180 m ³
- manje povoljni uvjeti	96 m ³	120 m ³
- nepovoljni uvjeti	64 m ³	80 m ³

Povremeno grijanje ili grijanje s prekidima duljim od 8 sati treba smatrati manje povoljnim ili čak nepovoljnim uvjetima grijanja.

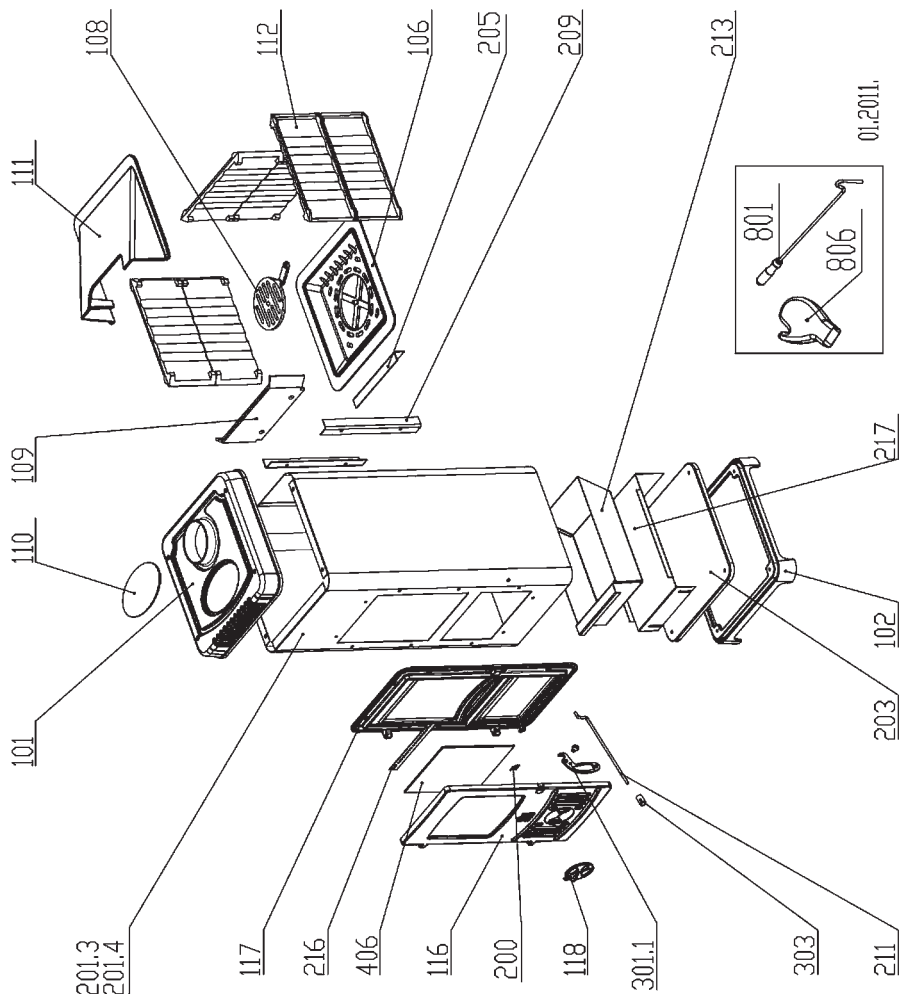
Rezervni dijelovi i pribor

Poz.	NAZIV DIJELA	Poz.	NAZIV DIJELA
101	KAPA	217	NOSAČ PEPELJARE
102	POSTOLJE	301.1	RUČKA VRATA DORA N
106	ROST	303	RUKOHVAT-DUGME
108	RASTRESAČ M-16	406	STAKLO DORA
109	ŠTITNIK		
110	POKLOPAC KAPE		
111	POKROV LOŽIŠTA		
112	STRANICA LOŽIŠTA	801	PRIBOR: ŽARAČ
116	VRATA	806	ZAŠTITNA RUKAVICA S LOGOM PLAMEN-crvena
117	OKVIR		
118	REGULATOR ZRAKA		
200	DRŽAČ STAKLA		
201.3	PLAŠT DORA 8 N		
201.4	PLAŠT DORA 10 N		
203	DNO PLAŠTA		
205	KUTNIK ROSTA		
209	KUTNIK OKVIRA		
211	POLUGA RASTRESAČA DORA/NERA		
213	PEPELJARA		
216	LIM REGUL.SEKUN.ZRAKA		

Još jedanput ukratko ono najvažnije:

- Ne dopustite da vatra tinja. Prilikom loženja dodajte onu količinu goriva koja odgovara potrebnoj toplini u tom trenutku.
- Prilikom svakog loženja regulator zraka maksimalno otvorite dok se vatra dobro ne razgori. Tek tada možete staviti regulator u položaj koji odgovara željenoj toplinskoj snazi.
- Pridržavajte se tehničkih uputa, jer je to u Vašem interesu.
- Peć postavite u prostoriju odgovarajuće veličine tako, da potreba topline odgovara nazivnoj snazi peći.

Rezervni dijelovi i pribor



**ZADRŽAVAMO PRAVO NA PROMJENE KOJE NE UTJEČU NA
FUNKCIONALNOSTI I SIGURNOSTI APARATA.**

During regular operation, particularly if wet fuel is used, soot and tar deposits may be created. Regular chimney inspection is essential for preventing the risk of chimney fire. In case of chimney fire, proceed as follows:

- never use water to extinguish the fire
- close all air supply passages to the stove and chimney
- having extinguished the fire, call the chimney sweeper to inspect the chimney
- **call the manufacturer's authorised service to inspect the stove**

Warranty

The Manufacturer's warranty applies provided that the stove is used in accordance with these Installation and Operating Instructions.

Space heating capacities

The size of the heated place depends on the heating conditions and thermal insulation.

Heating conditions	Nominal output 6 kW for Dora 8 N	Nominal output 7 kW for Dora 10 N
- favourable conditions	144 m ³	180 m ³
- less favourable conditions	96 m ³	120 m ³
- unfavourable conditions	64 m ³	80 m ³

Periodical heating or heating at intervals of more than 8 hours are to be considered less favourable or even unfavourable heating conditions.

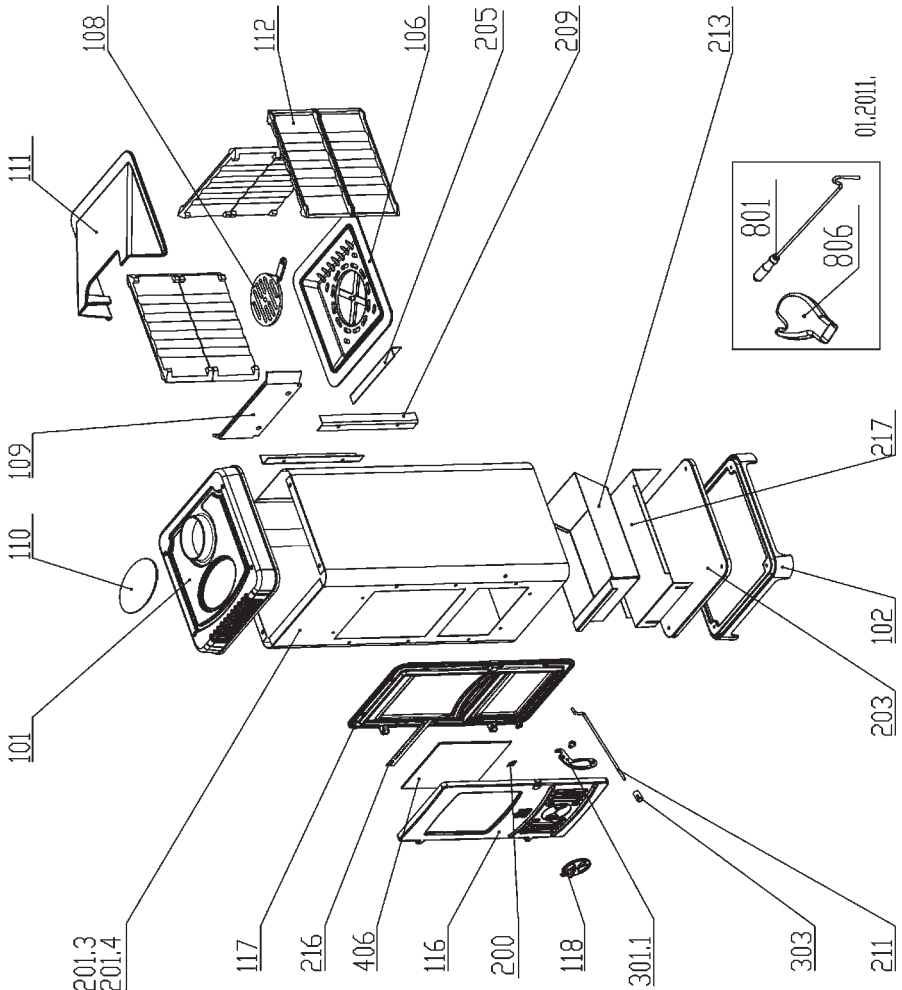
Spare parts - Accessories

No.	SPARE PART NAME	No.	SPARE PART NAME
101	TOP PLATE	217	ASHTRAY HOLDER
102	BASE PLATE	301.1	DORA N DOOR HANDLE
106	FIRE GRATE	303	GRIP
108	RIDDLING GRATE M-16	406	GLASS DORA
109	GUARD		
110	COVER		
111	FIREBOX LID	801	ACCESSORIES: POKER
112	FIREBOX WALL	806	PROTECTIVE GLOVE WITH AN ATTACHED PLAMEN LOGO - red
116	DOOR		
117	FRAME		
118	AIR CONTROL		
200	GLASS HOLDER		
201.3	DORA 8 N SHELL		
201.4	DORA 10 N SHELL		
203	SHELL BOTTOM		
205	FIRE GRATE PROTECTION		
209	FRAME CORNER PIECE		
211	RIDDLING GRATE ROD DORA/NERA		
213	ASHTRAY		
216	SECONDARY AIR CONTROL SHEET		

REMEMBER:

- Avoid slow burning sluggish fire. When reloading, make sure to load a quantity of fuel that is most suitable in respect of the actual heating requirements.
- Every time when you fire the stove, make sure that the air control is fully open until active bright fire is developed. Only then, set the air control to the position corresponding to the desired heating output.
- It is in your best interest to read carefully and strictly observe these Installation and Operating Instructions.
- Install the stove in a room of adequate size to ensure that the rated output of the stove meets the heating requirements of the room.

Spare parts - Accessories



THE MANUFACTURER RETAINS THE RIGHT TO ANY MODIFICATIONS NOT AFFECTING THE FUNCTIONALITY AND SAFETY OF THE STOVE!